



FEATURES

- Independent dimmable driver
- Up to 86 % efficiency
- Power input on stand-by < 0.5 W
- Dimming range 5 to 100 %
- Nominal life-time up to 50,000 h@25°C
- Suitable for LED lighting
- Loop in and loop out
- DALI compliant
- Suitable for Destiny Panels

HOUSING PROPERTIES

- Housing: polycarbonate, white
- Type of protection IP20

INTERFACES

- DALI function
- Touch dim
- Terminal blocks: push terminals

FUNCTIONS

- Protective features (over temperature, short-circuit, overload, no-load, reduced surge amplification)
- Power-up fading at AC

WARRANTY

- Five years (subject to terms and conditions)

CERTIFICATION	IP RATING	DIMMABLE	DIMENSIONS(mm)

Specific technical data

Part No.	Type	Output current ^③	Forward voltage	Max. output power	Typ. power consumption (at 230V, 50Hz, full load) ^{①③}	Typ. current consumption (at 230 V, 50 Hz, full load) ^①	Max Tc point	Ambient temperature ta	Admissible temperature range for storage	Admissible humidity range for storage	Optional resistor value
2217	ECD38WCC 0500-0950 DALIW1+	950 mA	30-38V	36.2 W	42 W	190mA	80 °C	-20~+40°C	-40~+50°C	5~85%	0-0.01 KΩ
2218	ECD60WCC 0900-1400 DALIW1+	1400 mA	30-38V	53.2W	61W	272mA	80 °C	-20~+40°C	-40~+50°C	5~85%	0-0.01 KΩ

Part No	To Suit Part No.										
	(0.1KΩ or short circuit)				(0.196KΩ)				(2.4KΩ)		
2217	222002B,	222003B,	222008B,	222009B	223344,	223345,	223346,	223354	223334,	223335,	223336
	222604B,	222605B,	222002C,	222003C	223355,	223356,	223304,	223314	222001B,	222007B,	222603B
	222008C,	222009C,	222604C,	222605C	221001,	221002,	222411A,	222412A	222001C,	222007C,	222603C
	222408A,	222409A			221010,	221008			221009,	221000,	222407
2218	222004B,	222010B,	222606B		221011,	221003,	223364				
					223365,	223366,	223324				

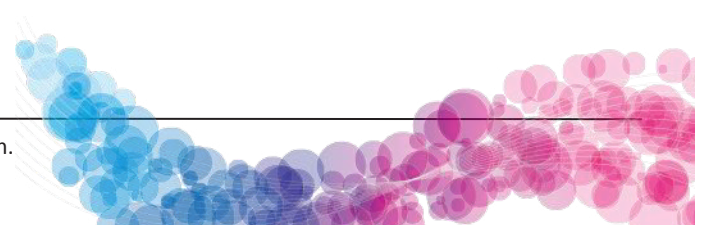
[1] EMC Standards: CISPR 15, AS/NZS 61000-3-2, AS/NZS 61000-3-3, AS/NZS 61347-1, AS/NZS 61347-2-13, AS/NZS 62384, AS/NZS 61547, Acc. to AS/NZS 50172, Acc. to AS/NZS 60598-2-22

Technical data

Rated supply voltage ^⑦	220 – 240 V
AC voltage range (Input)	198 – 264 V
DC voltage range (Input)	198 – 278 V
Mains frequency	0 HZ (DC Input), 50/60 HZ (AC Input)
Overvoltage protection	350 VAC, 2 h
Typ. input current (at 230 V, 50 Hz, full load) ^{①②}	190 mA
Typ. input current (at 230 V, 0 Hz, full load, 100% dimming level) ^②	182 mA
Leakage current (at 230 V, 50 Hz, full load) ^{①②}	≤ 0.5 mA
Max. input power	42W
Typ. efficiency (at 230 V, 50 Hz, full load) ^②	86 %
Power factor (λ) (at 230 V, 50 Hz, full load)	> 0.9
Typ. power input on stand-by ^③	< 0.5 W
Typ. input current in no-load operation	20 mA
Typ. input power in no-load operation	1.3 W
THD (at 230 V, 50 Hz, full load) ^①	< 15 %
Time to light (at 230 V, 50 Hz, full load)	< 0.5 s
Time to light (DC mode)	< 0.5 s
Switchover time (AC/DC) ^⑥	< 0.5 s
Turn off time (at 230 V, 50 Hz, full load)	< 100 ms
Output current tolerance ^{①④}	± 10 %
Max. output current peak (non-repetitive)	≤ 1.1 output current
Output LF current ripple (< 120 Hz)	± 4 %
Max. output voltage (no-load voltage)	55 V
Dimming range	5 – 100 %
Mains surge capability (between L - N)	1 kV
Surge voltage at output side (against PE)	≤ 500 V
Dimensions L x W x H	300 x 64 x 28.4 mm

Note:

- ①Valid at 100 % dimming level.
- ②Depending on the selected LED lamp the voltage of the LED lamp is 36V.
- ③Depending on the DALI traffic at the interface.
- ④Output current is mean value.
- ⑤Input voltage 230V.
- ⑥When AC switch to DC in standby status, brightness to 50%.
- ⑦Hot plug is not allowed.



Wiring and connection

Input wire cross-section	1.5 - 2.5 mm ²
Output wire cross-section	0.5 – 2.5 mm ²
Maximum allowable current to the terminal	16 A

Package data

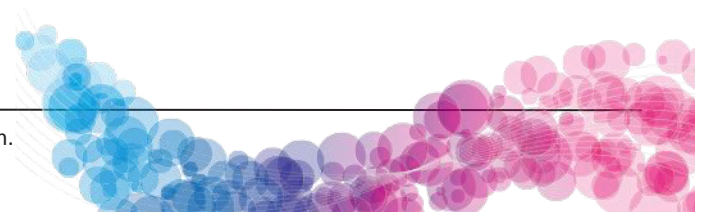
Drivers/carton	Drivers/pallet (Max.1.1m)	Unit carton weight
25 pcs	1000 pcs	9.8 kg

Touch dim function description

Function	Operation
Switch on/off	Short press(>0.04S ,<0.5s)
Dimming level	Medium press (>0.5S, <10S) dim up or down, dimmer direction is upward (if last dimming direction is downward) or downward (if last dimming direction is upward).
Synchronization	Long press > 10S, all the drivers synchronously switch into 37% light level, then release the switch and medium press again to start dimming, the dimming direction would be downward.
Memorization	The driver stores all the set values when the lamps is disconnected from the power supply.

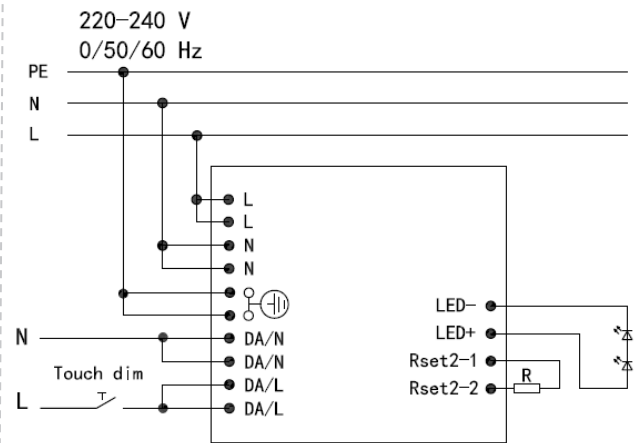
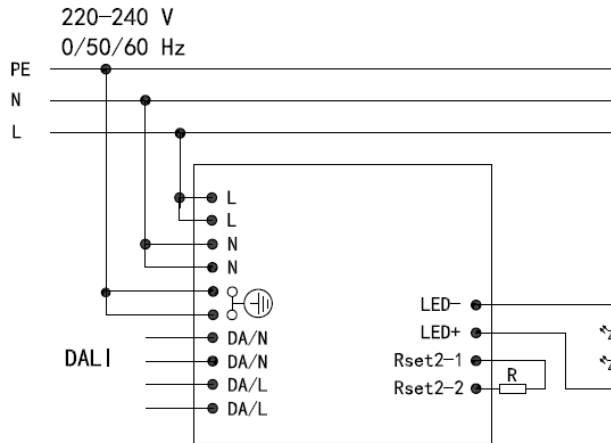
Standards

CISPR 15, AS/NZS 61000-3-2, AS/NZS 61000-3-3, AS/NZS 61347-1, AS/NZS 61347-2-13, AS/NZS 62384, AS/NZS 61547,
Acc. to AS/NZS 50172, Acc. to AS/NZS 60598-2-22



Installation and wiring Instruction

Installation circuit diagram

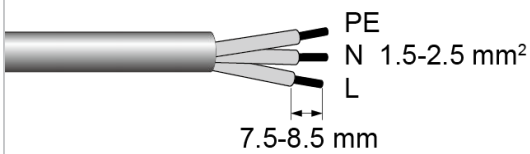


The Max length between the DALI device and the drivers is 300m.
The Max number of connections to driver is 64pcs

For parallel or series connection:
The Max length between Touch Dim and the driver is 25m.
The Max number of connections to driver is 25pcs.

Electric insulation	DALI	Output	PE	Mains
DALI	X	Supplementary	Basic	Basic
Output	Supplementary	X	Basic	Reinforced
PE	Basic	Basic	X	Basic
Mains	Basic	Reinforced	Basic	X

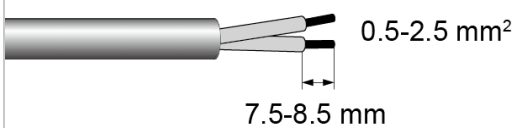
Wiring type and cross section



Mains supply wires:

The wiring can be in stranded wires with ferrules or solid with a cross section of 1.5 - 2.5 mm². Strip 7.5 - 8.5 mm of insulation from the cables to ensure perfect operation of the push terminals.

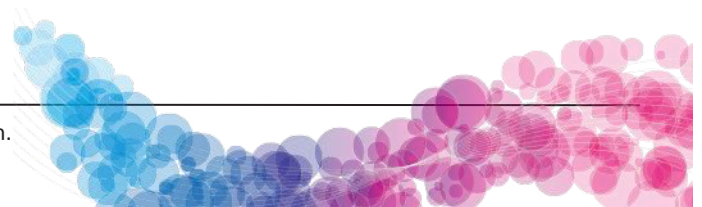
Use one wire for each terminal connector only.



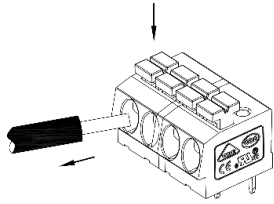
Secondary wires (LED module):

The wiring can be in stranded wires with ferrules or solid with a cross section of 0.5 - 2.5 mm². Strip 7.5 - 8.5 mm of insulation from the cables to ensure perfect operation of the push-wire terminals.

Use one wire for each terminal connector only.



Loose wiring



Press down the “push button” and remove the cable from front.

Inrush current

Type	I peak ^{⑤⑧}	Duration T _{width} ^{⑤⑧}	Number on single-pole power circuit breakers (CB)				Inrush current profile	
			CB-type	10 A	13 A	16 A		20 A
ECD38WCC0500-0950 DALIW1+	76.8 A	250 μs	B	12 pcs	16 pcs	20 pcs	25 pcs	
			C	20 pcs	27 pcs	34 pcs	41 pcs	
Installation Ø				1.5 mm ²	1.5 mm ²	1.5 mm ²	2.5 mm ²	

⑤20pcs drivers connection in parallel.

Dimming profile

